


STAIRVILLE

Fan-200 DMX
wind machine

Musikhaus Thomann
Thomann GmbH
Hans-Thomann-Straße 1
96138 Burgebrach
Deutschland
Telephone: +49 (0) 9546 9223-0
E-mail: info@thomann.de
Internet: www.thomann.de

11.02.2020, ID: 376918 (V2)

Table of contents

1	General notes	4
	1.1 Further information.....	5
	1.2 Notational conventions.....	6
	1.3 Symbols and signal words.....	6
2	Safety instructions	9
3	Features	14
4	Installation and starting up	15
5	Connections and controls	20
6	Operating	27
7	Technical specifications	31
8	Plug and connection assignments	32
9	Cleaning	33
10	Protecting the environment	34

1 General notes

This manual contains important instructions for the safe operation of the unit. Read and follow the safety instructions and all other instructions. Keep the manual for future reference. Make sure that it is available to all those using the device. If you sell the unit please make sure that the buyer also receives this manual.

Our products are subject to a process of continuous development. Thus, they are subject to change.

1.1 Further information

On our website (www.thomann.de) you will find lots of further information and details on the following points:

Download	This manual is also available as PDF file for you to download.
Keyword search	Use the search function in the electronic version to find the topics of interest for you quickly.
Online guides	Our online guides provide detailed information on technical basics and terms.
Personal consultation	For personal consultation please contact our technical hotline.
Service	If you have any problems with the device the customer service will gladly assist you.

1.2 Notational conventions

This manual uses the following notational conventions:

Letterings

The letterings for connectors and controls are marked by square brackets and italics.

Examples: *[VOLUME]* control, *[Mono]* button.



Displays


Texts and values displayed on the device are marked by quotation marks and italics.

Examples: *'24ch'*, *'OFF'*.

1.3 Symbols and signal words

In this section you will find an overview of the meaning of symbols and signal words that are used in this manual.

Signal word	Meaning
DANGER!	This combination of symbol and signal word indicates an immediate dangerous situation that will result in death or serious injury if it is not avoided.
WARNING!	This combination of symbol and signal word indicates a possible dangerous situation that can result in death or serious injury if it is not avoided.
NOTICE!	This combination of symbol and signal word indicates a possible dangerous situation that can result in material and environmental damage if it is not avoided.
Warning signs	Type of danger
	Warning – high-voltage.
	Warning – suspended load.

Warning signs	Type of danger
	Warning – danger zone.

2 Safety instructions

Intended use

This device is designed for generating an adjustable airflow in show applications. The device is designed for semi-professional and professional use and is not suitable for use in households. Use the device only as described in this user manual. Any other use or use under other operating conditions is considered to be improper and may result in personal injury or property damage. No liability will be assumed for damages resulting from improper use.

This device may be used only by persons with sufficient physical, sensorial, and intellectual abilities and having corresponding knowledge and experience. Other persons may use this device only if they are supervised or instructed by a person who is responsible for their safety.

Safety



DANGER!

Danger for children

Ensure that plastic bags, packaging, etc. are disposed of properly and are not within reach of babies and young children. Choking hazard!

Ensure that children do not detach any small parts (e.g. knobs or the like) from the unit. They could swallow the pieces and choke!

Never let children unattended use electrical devices.



DANGER!

Electric shock caused by high voltages inside

Within the device there are areas where high voltages may be present. Never remove any covers.

There are no user-serviceable parts inside.

Do not use the device if covers, protectors or optical components are missing or damaged.



DANGER!

Electric shock caused by short-circuit

Always use proper ready-made insulated mains cabling (power cord) with a protective contact plug. Do not modify the mains cable or the plug. Failure to do so could result in electric shock/death or fire. If in doubt, seek advice from a registered electrician.



WARNING!

Risk of injury caused by falling objects

Make sure that the installation complies with the standards and rules that apply in your country. Always secure the device with a secondary safety attachment, such as a safety cable or a safety chain.

The load capacity of trusses or other fixtures must be sufficient for the intended number of devices. Note that the movement of the head places additional loads on the load-bearing parts.



NOTICE!

Operating conditions

This device has been designed for indoor use only. To prevent damage, never expose the device to any liquid or moisture. Avoid direct sunlight, heavy dirt, and strong vibrations.



NOTICE!

Power supply

Before connecting the device, ensure that the input voltage (AC outlet) matches the voltage rating of the device and that the AC outlet is protected by a residual current circuit breaker. Failure to do so could result in damage to the device and possibly injure the user.

Unplug the device before electrical storms occur and when it is unused for long periods of time to reduce the risk of electric shock or fire.



NOTICE!

Possible staining

The plasticiser contained in the rubber feet of this product may possibly react with the coating of your parquet, linoleum, laminate or PVC floor and after some time cause permanent dark stains.

In case of doubt, do not put the rubber feet directly on the floor, but use felt-pad floor protectors or a carpet.

3 Features

- Adjustable fan speed
- Adjustable inclination angle (180°)
- Control via DMX and via buttons and display on the unit
- Timer function
- 3 and 5-pin DMX connectors
- Lockable connectors (Power Twist) for self-supply and for supplying further devices
- Canned motor for use with foggers
- Omega brackets for truss mounting enclosed
- Power supply cable (Power Twist) included

4 Installation and starting up

Unpack and carefully check that there is no transportation damage before using the unit. Keep the equipment packaging. To fully protect the device against vibration, dust and moisture during transportation or storage use the original packaging or your own packaging material suitable for transport or storage, respectively.

Only lift the device by the base. Lifting it at the fan housing may damage the device.

You can install the device standing or hanging. When in use, the device must be mounted at a solid surface or clamped to an approved truss.

Work from a stable platform whenever you install or move the device or when you perform any kind of maintenance. Block access under the work area.

Mounting options

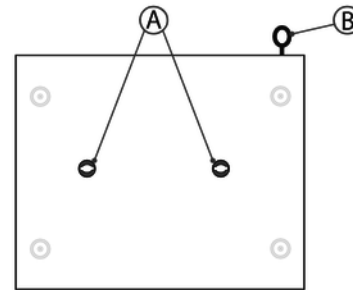


WARNING!

Risk of injury caused by falling objects

Make sure that the installation complies with the standards and rules that apply in your country. Always secure the device with a secondary safety attachment, such as a safety cable or a safety chain.

The threads on the bottom are used for secure truss mounting of the device using omega brackets. Additionally secure the device by a safety-rope against falling.



A	Threads for attaching Omega brackets.
---	---------------------------------------

B	Safety eyelet.
---	----------------

Wiring

Create all connections while the device is off. Use the shortest possible high-quality cables for all connections. Take care when running the cables to prevent tripping hazards.



NOTICE!

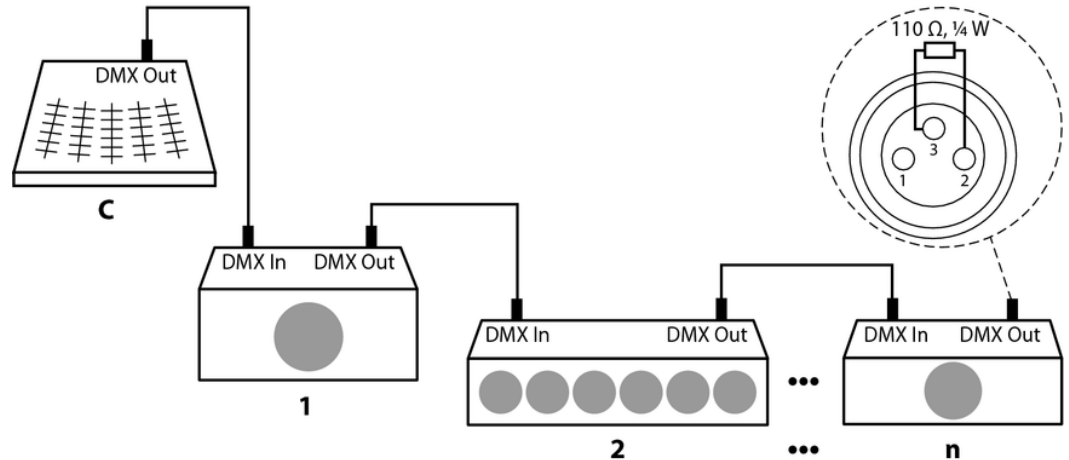
Possible data transmission errors

For error-free operation make use of dedicated DMX cables and do not use ordinary microphone cables.

Never connect the DMX input or output to audio devices such as mixers or amplifiers.

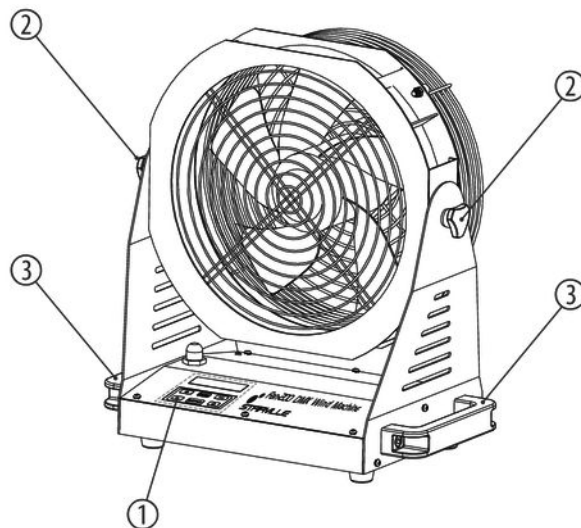
Connections in DMX mode

Connect the DMX input of the device to the DMX output of a DMX controller or another DMX device. Connect the output of the first DMX device to the input of the second one, and so on to form a daisy chain. Always ensure that the output of the last DMX device in the daisy chain is terminated with a resistor ($110\ \Omega$, $\frac{1}{4}\ \text{W}$).



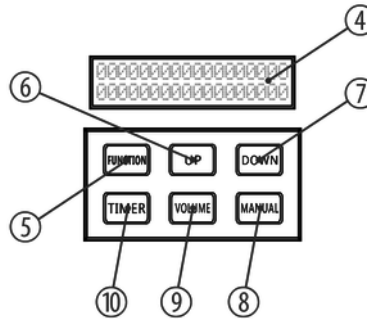
5 Connections and controls

Front view



- | | |
|---|---|
| 1 | Operating panel with display. |
| 2 | Locking screw for fixing the fan housing. |
| 3 | Grab handle |

Operating panel with display



4 Display

5 [FUNCTION]

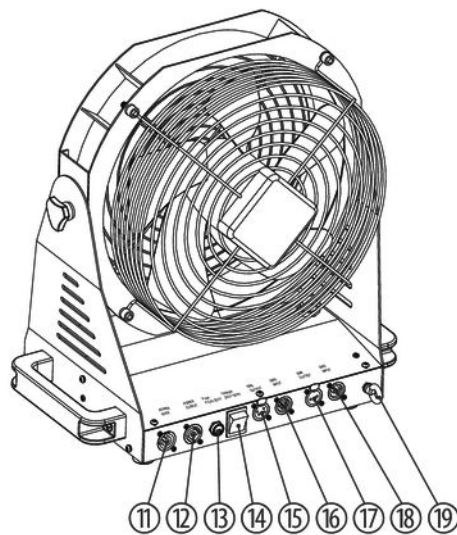
Button for selecting the setting parameter.

6 [UP]

Increases the displayed value by one.

7	<i>[DOWN]</i> Decreases the displayed value by one.
8	<i>[MANUAL]</i> Button for manually controlling the fan.
9	<i>[VOLUME]</i> Button for adjusting the fan speed.
10	<i>[TIMER]</i> Button to activate the TIMER mode.

Rear panel



11	<i>[POWER INPUT]</i> Lockable input socket (Power Twist) for power supply.
12	<i>[POWER OUTPUT]</i> Lockable output socket (Power Twist) to supply further units.
13	<i>[Fuse]</i> Fuse holder
14	<i>[Voltage]</i> Main switch to turn the device on and off.
15	<i>[DMX OUTPUT]</i> 5-pin DMX output.
16	<i>[DMX INPUT]</i> 5-pin DMX input.
17	<i>[DMX OUTPUT]</i> 3-pin DMX output.

18	<i>[DMX INPUT]</i> 3-pin DMX input.
----	--

19	Safety cable eyelet
----	---------------------

6 Operating

To start up the device, connect it to the mains. The display shows consecutively 'WELCOME', 'Version Vx.x' and 'AC~230V 50Hz'. The device is then ready for use.

Continuous operation

Press repeatedly [FUNCTION] until the display shows 'Volume'. In this mode you can use the buttons [UP] and [DOWN] to adjust the fan speed in a range from '1' ... '9'.

The fan runs in continuous operation, the setting takes effect immediately and can be changed any time.

Manual operation

Use the button [MANUAL] to control the fan manually. The fan runs with maximum speed as long as you keep the button pressed.

DMX operation

In DMX mode, the device is controlled by a DMX controller. The following table shows the assignment of the three channels.

Channel	Function	Value
1	Fan speed	0% ... 100%
2	Interval between two operating phases	1m ... 999m or 5s ... 999s
3	Operating phase duration	1m ... 999m or 5s ... 999s

Timer-controlled operation, DMX operation

Press repeatedly [*FUNCTION*] to consecutively call the various setting parameters for timer-controlled and DMX operation (see following table). Adjust the respective value using the buttons [*UP*] and [*DOWN*] to adapt the values).

Parameter	Function
'IntervalSet'	Interval between two operating phases, value range '1m' ... '999m' or '5s' ... '999s' depending on the setting of 'TimingSet'.
'DurationSet'	Operating phase duration, value range '1m' ... '999m' or '5s' ... '999s' depending on the setting of 'TimingSet'.
'VolumeSet'	Fan speed, value range '1' ... '9'.
'DMX512'	DMX address, value range '1' ... '512'.
'TimingSet'	Time unit selection for parameters 'IntervalSet' and 'DurationSet', value range minutes 'MIN' and seconds 'SEC'.

If you don't press any button for about 15 seconds, the display shows the first setting parameter '*IntervalSet*' again.

Press [*TIMER*] to start the timer-controlled operation. The display shows the settings '*IntervalSet*' and '*DurationSet*'.

Or connect a DMX controller to control the device after respective address assignment.

7 Technical specifications

Inclination angle of fan housing	180°
Air flow rate	34 m ³ /min @ 2100 min ⁻¹
Noise generation	approx. 70 dB/1m
Power consumption	200 W
Operating supply voltage	AC 230 V ~ 50 Hz
Fuse	5 mm × 20 mm, 12 A, 250 V, fast-acting
Dimensions (W × H × D)	430 mm × 460 mm × 400 mm
Weight	9.8 kg

8 Plug and connection assignments

Introduction

This chapter will help you select the right cables and plugs to connect your valuable equipment so that a perfect light experience is guaranteed.

Please take our tips, because especially in 'Sound & Light' caution is indicated: Even if a plug fits into a socket, the result of an incorrect connection may be a destroyed DMX controller, a short circuit or 'just' a not working light show!

DMX connections



The unit offers a 3-pin XLR socket for DMX output and a 3-pin XLR plug for DMX input. Please refer to the drawing and table below for the pin assignment of a suitable XLR plug.

Pin	Configuration
1	Ground, shielding
2	Signal inverted (DMX-, 'cold signal')
3	Signal (DMX+, 'hot signal')

9 Cleaning

Device components

Clean the device components that are accessible from the outside regularly. The cleaning frequency depends on the operating environment: damp, smoky or particularly dirty environments can cause greater accumulation of dirt on the device components.

- Clean with a dry soft cloth.
- Stubborn dirt can be removed with a slightly dampened cloth.
- Never use solvents or alcohol for cleaning.

10 Protecting the environment

Disposal of the packaging material



For the transport and protective packaging, environmentally friendly materials have been chosen that can be supplied to normal recycling.

Ensure that plastic bags, packaging, etc. are properly disposed of.

Do not just dispose of these materials with your normal household waste, but make sure that they are collected for recycling. Please follow the notes and markings on the packaging.

Disposal of your old device



This product is subject to the European Waste Electrical and Electronic Equipment Directive (WEEE) in its currently valid version. Do not dispose with your normal household waste.

Dispose of this device through an approved waste disposal firm or through your local waste facility. When discarding the device, comply with the rules and regulations that apply in your country. If in doubt, consult your local waste disposal facility.



