

DMX Bit setup

The decoder support 8 bit and 16 bit.

Long press button 3 for 2 seconds to enter DMX bit setup, the digital-display twinkle regularly, press button 3 to switch setup, 8b and 16b on the the digital-display correspond to 8 bits and 16 bits respectively.

Long press button 3 for 2 seconds to exit DMX bit mode setup, it also can be exited automatically without operation for 10 seconds.

After-Sales

From the day you purchase our products with in 1 years, if being used properly in accordance with the instruction, and quality problems occur, we provide free repair or replacement services except the following cases:

- 1.Any defects caused by wrong operations.
- 2.Any damages caused by inappropriate power supply or abnormal voltage.
- 3.Any damages caused by unauthorized removal, maintenance, modifying circuit, incorrect connections and replacing chips.
- 4.Any damages due to transportation, breaking, flooded water after the purchase.
- 5.Any damages caused by earthquake, fire, flood, lightning strike etc force majeure of natural disasters.
- 6.Any damages caused by negligence, inappropriate storing at high temperature and humidity environment or near harmful chemicals.
- 7.Product has been updated.

Kindly Reminder

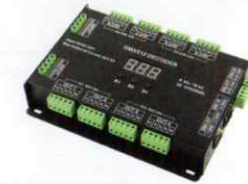
Power Source Selection:

Power source must be DC constant voltage type of power supply. Due to the efficient output in some power supplies are only 80% of total, so please select at least 20% higher output power supply than the consumption of LED lights.

After Sales Support
nutbro@hotmail.com

4

32CH DMX512 Decoder Operation Instructions User Manual



(Please read through this manual carefully before use)

Introduction

The 32CH RGBW DMX512 decoder converts a DMX512/1990 digital signal into PWM (Pulse Width Modulated) signals, controlled by a DMX512 console, DMX512 signal 8 bit, 16 bit optional. Featuring unique firmware, the decoder produces smooth and perfect fades.

Specifications

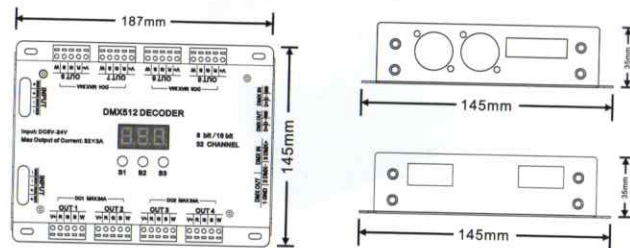
Model	32CH DMX512 Decoder
Input voltage	DC 5-24V
Max load current	3A×32CH Max 96A
Max Output Power	480W (5V) / 1152W (12V) / 2304W (24V)
DMX Bit	8 bit or 16 bit
Input Signal	DMX512/1990
Output Signal	Constant Voltage PWM×32
Decode Channel	32CH
DMX512 socket	3-pin XLR / terminal block
Dimension	187×145×35mm
Weight (G.W)	757g

Features

1. Automatically adapts to input voltages between DC5 - 24V.
2. Input standard DMX512 signal; 3-digit display shows DMX address.
3. 32 channel outputs; linear dimming; flicker-free outputs.
4. 14 color changing modes and 10 speeds in test mode.
5. DMX512 signal presence indicator.
6. Power loss memory.
7. Incorrect wiring protection at DMX port.
8. The decoder can operate in DIM / CT / RGB / RGBW control modes.

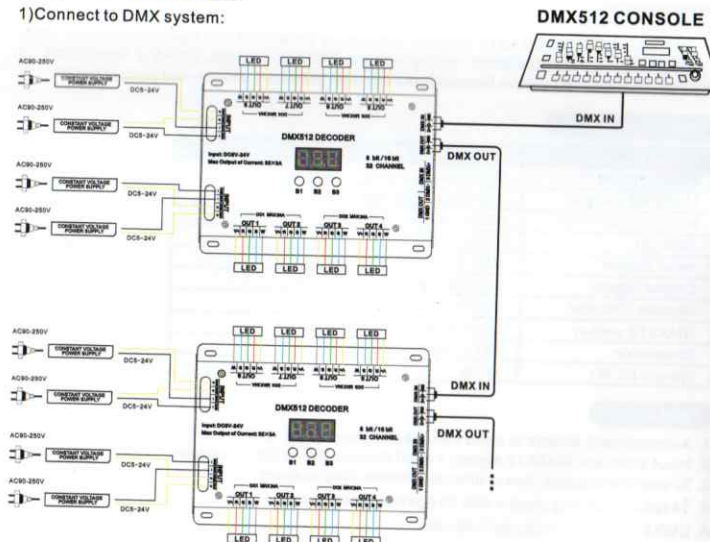
1

Physical dimensions and connections



Connection diagram

1) Connect to DMX system:



Operating instructions

There are 3 buttons on the decoder: button 1, button 2, button 3. The three-digit display indicates the current DMX address when connected to a power supply. The decimal point of last digit will flash regularly when receives DMX512 signal normally. The three-digit display turns off without operation for 30 seconds, press any key to turn it on.

DMX address setup

Long press button 1 for two seconds to enter DMX512 address setup, the digital-display flashes, press button 1 to set the hundreds digit (0-5 are valid values), press button 2 to set the tens digit (0-9 are valid values), press button 3 to set the units digit (0-9 are valid values). DMX512 address are 1-512, when the DMX address is above 512, testing mode is enabled, as per the table below:

DMX512 address value	Testing function	DMX512 address value	Testing function
513	RED	520-529	Red,green,blue jumping
514	GREEN	530-539	7 color jumping
515	BLUE	540-549	White strobe
516	YELLOW	550-559	Red green blue smooth
517	PURPLE	560-569	7 color smooth
518	CYAN	570-579	White fading
519	WHITE	0,580-599	Full on

Long press button 1 for two seconds to exit DMX512 address setup, it also can be exited automatically without operation for 10 seconds.

Control mode setup

The decoder can be work as DIM/CT/RGB/RGBW 4 control mode. Long press button 2 for 2 seconds to enter control mode setup, the digital-display twinkle regularly, press button 3 to switch setup, 1CH/2CH/3CH/4CH on the digital-display correspond to DIM/CT/RGB/RGBW 4 control mode respectively. When at RGB control mode, WHITE in built-in modes is mixed by RGB channels; when at other control model, WHITE is w channel is on.